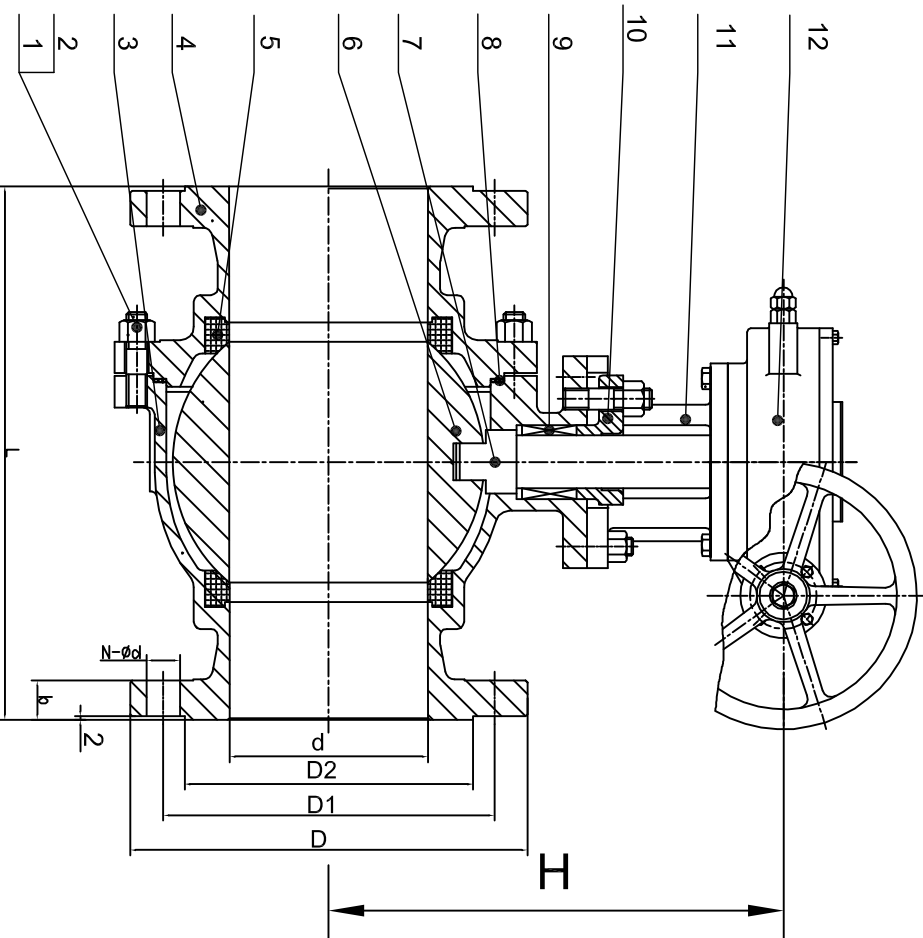


RF B1003



Technical Specification	
API 608	Design & manufacture standard
ASME B16.10	Face to face standard
ASME B16.5	Flange end dimension standard
API598	Inspection & test standard

NPS	L	d	D	D1	D2	b	n-Ød
8"	502	202	380	330	270	39.7	12-Ø25

Technical Specification		No.	PART NAME	MATERIAL
Nominal pressure	300LB	6	BALL	A182 F316
Strength test pressure	7.7 MPa	5	SEAT	PTFE
Seal test pressure	5.6 MPa	4	BONNET	A216 WCB
Air seal pressure	0.6	3	BODY	A216 WCB
Max.temperature	-29< 120°C	2	NUT	A194 2H
Medium	Water,oil,gas etc.	1	BOLT	A193 B7

No.	PART NAME	MATERIAL
12	Wormgear Actuator	
11	YOKE	C.S
10	GLAND	A216 WCB
9	PACKING	GRAPHITE
8	GASKET	PTFE
7	STEM	A182 F316

FLOATING BALL VALVE				J-VALVES	
Construction				Construction	